

Premium Preparation 1200 mm Work Table on Wheels

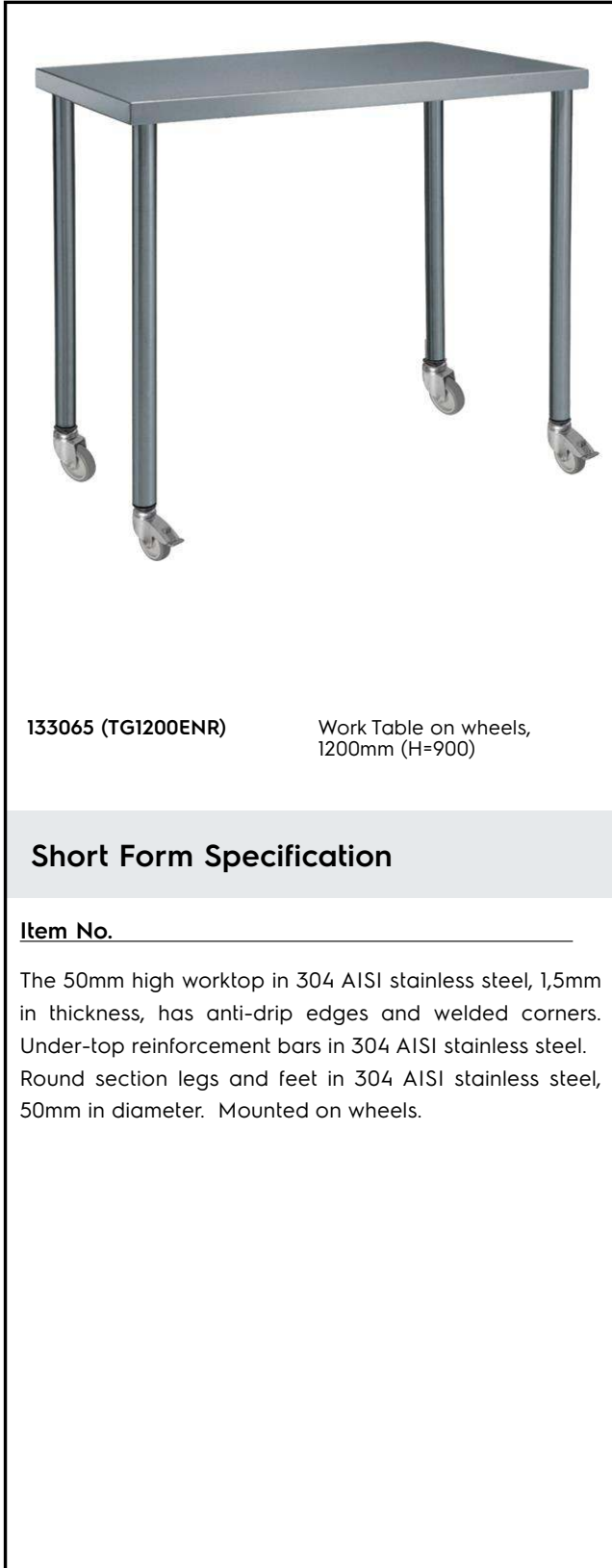
ITEM # _____

MODEL # _____

NAME # _____

SIS # _____

AIA # _____


133065 (TG1200ENR)

 Work Table on wheels,
1200mm (H=900)

Short Form Specification

Item No. _____

The 50mm high worktop in 304 AISI stainless steel, 1,5mm in thickness, has anti-drip edges and welded corners. Under-top reinforcement bars in 304 AISI stainless steel. Round section legs and feet in 304 AISI stainless steel, 50mm in diameter. Mounted on wheels.

Main Features

- The high of the table is 900mm with the wheels for a perfect alignment with all other units and for easy movement of pots and pans through the equipments in the kitchen.
- Sturdiness, stability and reliability of table accurately tested.
- Mounted on 4 swiveling castors, 2 with brakes.

Construction

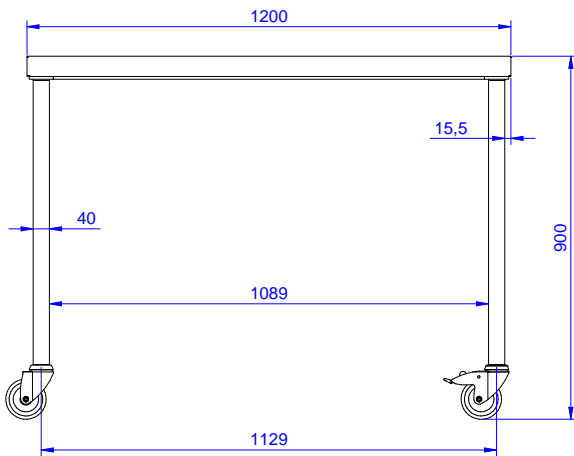
- Worktop with 50 mm high profile, in s/s Scotch Brite finishing, 15/10 in thickness with anti-drip edges and welded corners.
- Wide range of taps are available to suit every need.
- 100 mm upstand with 10 mm radiused corner and 13 mm deep, designed to be used against a wall.
- Heavy duty construction entirely in AISI 304 stainless steel to offer maximum durability.

Optional Accessories

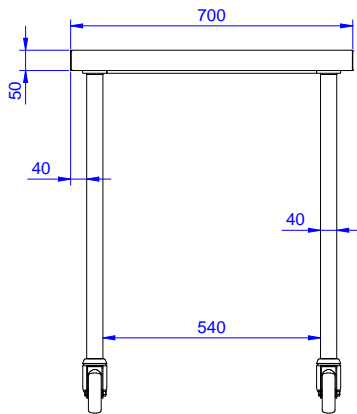
- Single drawer GN 1/1, 400mm PNC 855280
- Single drawer, 600mm PNC 855281
- Lower shelf for 1200mm for units PNC 855282
- 3-sided underframe for 1200mm tables PNC 855290
- Additional drawer, 600mm (to set up a chest of 2, 3, 4 drawers) PNC 855295
- Additional drawer GN 1/1, 400mm (to set up a chest of 2, 3, 4 drawers) PNC 855298

APPROVAL: _____

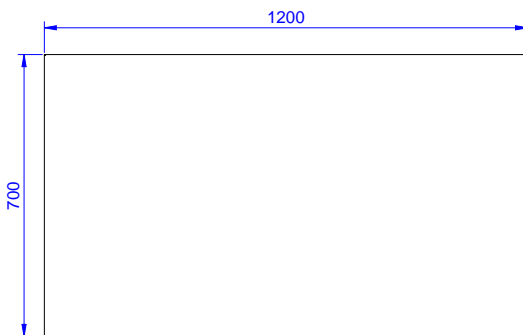
Front



Side



Top



Key Information:

| | |
|---|---------|
| External dimensions, Width: 133065 (TG1200ENR) | 1200 mm |
| External dimensions, Depth: | 700 mm |
| External dimensions, Height: | 900 mm |
| Worktop thickness: | 50 mm |
| Net weight: | 40 kg |
| Drawer combinations - No. 400 mm drawers | 3 |
| Drawer combinations - No.600 mm drawers | 3 |
| Drawer combinations - No. 400 + 600 mm drawers | 1+2 |